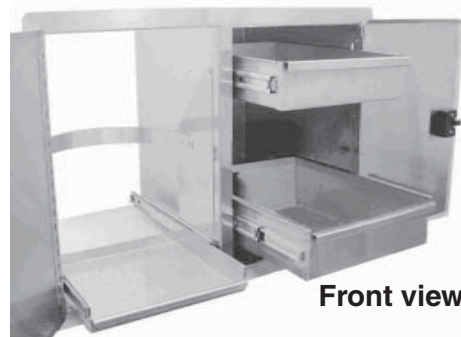


## DOUBLE DOORS WITH PROPANE TANK TRAY/DUAL DRAWER COMBINATION CLASSIC SERIES 23930S-12 GOURMET SERIES 33930S-12

Classic  
double doors  
(23930S)



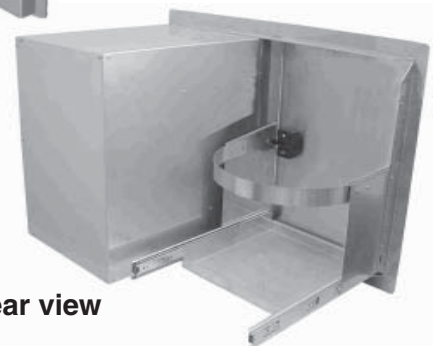
Gourmet  
double doors  
(33930S)



Front view

**OPENING REQUIRED**  
20 1/2" High X 30" Wide  
X 20 1/2" Deep

**Tank tray & dual  
drawer combination**  
(23930S-12 OR 33930S-12)



Rear view

**YOUR DOUBLE DOOR COMBINATION COMES COMPLETELY ASSEMBLED AND READY FOR INSTALLATION INTO YOUR BARBECUE ENCLOSURE.**

**CAUTION:** Make sure the enclosure is properly vented. See other side of this sheet, or your owner's manual, for venting requirements, consult your local codes, or contact your gas supplier.

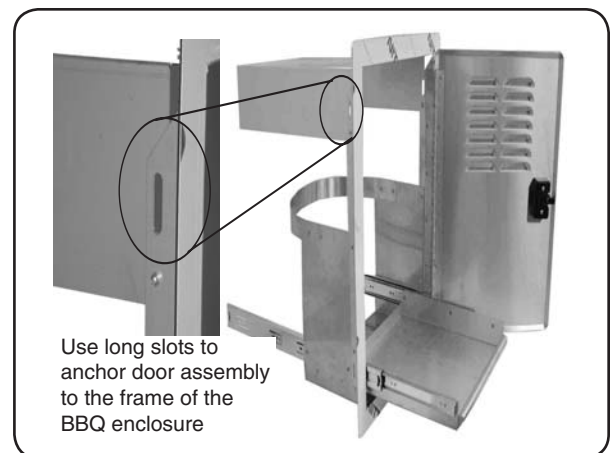
### TO INSTALL

Using 1/4" anchor shields and bolts, simply fasten your door assembly directly into the framework of the opening you have provided in your barbecue enclosure.

### TO USE THE TANK TRAY OPTION

Simply open the door, pull out the sliding cylinder tray, place your cylinder on the tray, and push the tray back in. The cylinder is now ready for connection to your barbecue.

**Note:** Drawer maximum capacity = 40 lbs.



**Note:** Never locate a cylinder under or near a barbecue unless sufficient ventilation and shielding is provided to prevent any heating of the cylinder regulator and hose.

**SEE OTHER SIDE FOR VENTING INSTRUCTIONS FOR PROPANE GAS CYLINDERS**

### Important

**FOLLOW ALL THE SAFETY WARNINGS AND INFORMATION ON YOUR PROPANE CYLINDER AND IN YOUR BBQ INSTRUCTIONS ABOUT SAFE STORAGE AND USE OF PROPANE GAS.**

**IMPORTANT FOR YOUR SAFETY**  
**READ AND FOLLOW ALL WARNINGS PROVIDED WITH YOUR**  
**PROPANE GAS CYLINDER.**

When operating this appliance with a propane gas cylinder these instructions and warnings  
**MUST** be observed.

**FAILURE TO DO SO MAY RESULT IN A SERIOUS FIRE OR EXPLOSION.**

**VENTILATION OF ENCLOSURES**

**When using propane gas, take EXTREME CAUTION to ensure ample ventilation of gas vapor. Propane vapor is invisible and heavier than air. A DANGEROUS EXPLOSION could occur, resulting in SERIOUS INJURY AND/OR LOSS OF LIFE if propane gas is allowed to accumulate and then ignite.**

**Only one propane gas cylinder may be located in an enclosure.** Extra or spare cylinders must be stored outdoors out of the reach of children and outside of any building, garage, or other enclosed area. **READ AND FOLLOW ALL WARNINGS PROVIDED WITH PROPANE GAS CYLINDERS.**

**Never locate a cylinder under or near the barbecue** unless sufficient ventilation and shielding is provided to prevent any heating of the cylinder, regulator and rubber hose.

**PROPANE CYLINDER ENCLOSURES**

To prevent invisible combustible gas from accumulating in your cylinder enclosure, you must provide adequate ventilation. This is accomplished by having one side of the gas cylinder enclosure left completely open to the outside **OR** by providing four (4) ventilation openings. Two openings are to be at the cylinder valve level (approx. 16" above the floor) and on opposite walls of the enclosure. Two more openings must be at the floor level on opposite sides of the enclosure. The floor level openings must start at the floor and shall extend no higher than 5" above the floor. Each opening must have a minimum of 10 sq. in. (64.5 cm<sup>2</sup>) of free area. To achieve the proper ventilation, you may drill a series of holes, omit the grout from masonry joints, or replace a brick with a hardware cloth screen. If the floor in the cabinet is raised and the space beneath the cabinet is open to the outside, the lower ventilation openings may be in the floor.

**FOR YOUR SAFETY**, you must provide these openings for drainage, replacement air, and cross ventilation of any storage area exposed to possible leakage from gas connections, the barbecue, or propane cylinder.

**Important**

Additional requirements for the safe use of propane gas and gas cylinders appear elsewhere in your barbecue owner's manual.

**HOUSEHOLD PROPANE GAS SERVICE**

Consult your gas supplier for ventilation and regulator requirements when connecting to a **HOUSEHOLD** propane supply.

**Important**

**FOLLOW ALL THE SAFETY WARNINGS AND INFORMATION ON YOUR PROPANE CYLINDER AND IN YOUR BBQ INSTRUCTIONS ABOUT SAFE STORAGE AND USE OF PROPANE GAS.**